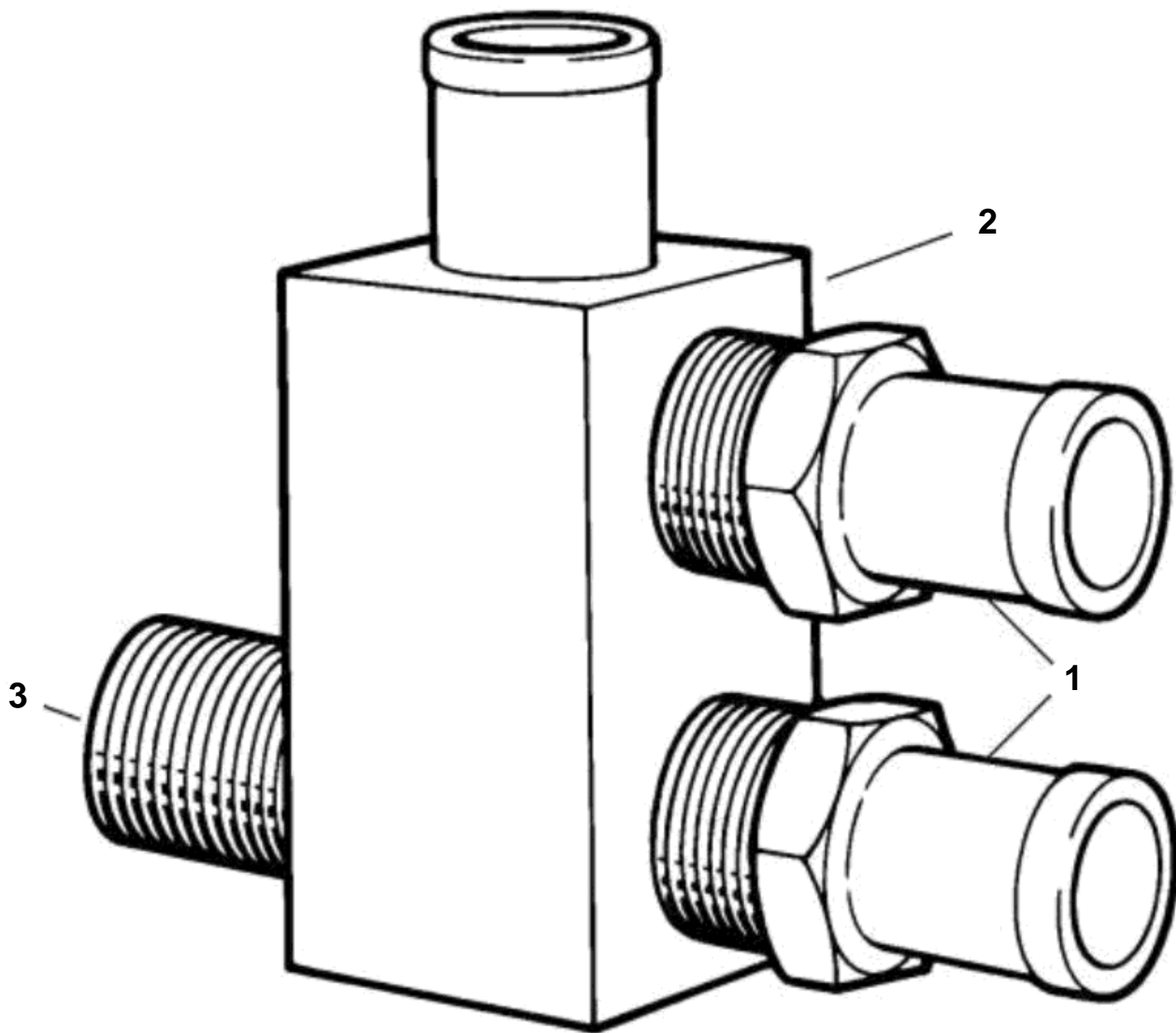


3.0GSMNCA, 3.0GSMNCS, 3.0GSPNCA, 3.0GSPNCS



12774

